

Feb. 11, 1930.

E. J. GULICK

1,747,113

KEY PAD FOR WIND MUSICAL INSTRUMENTS

Filed July 11, 1927

Fig. 1.

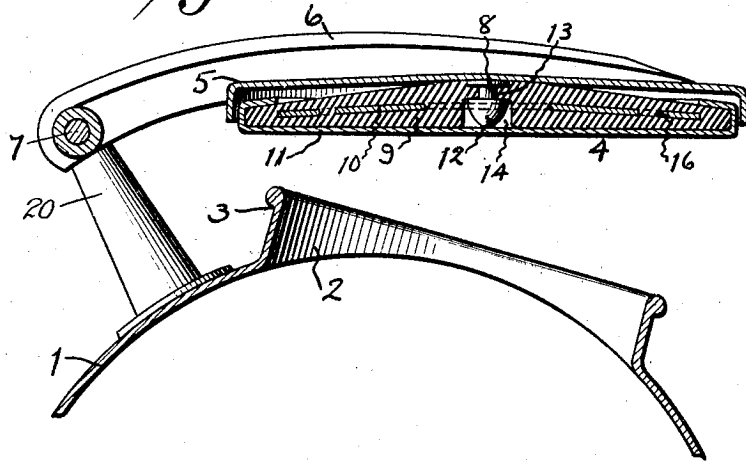


Fig. 2.

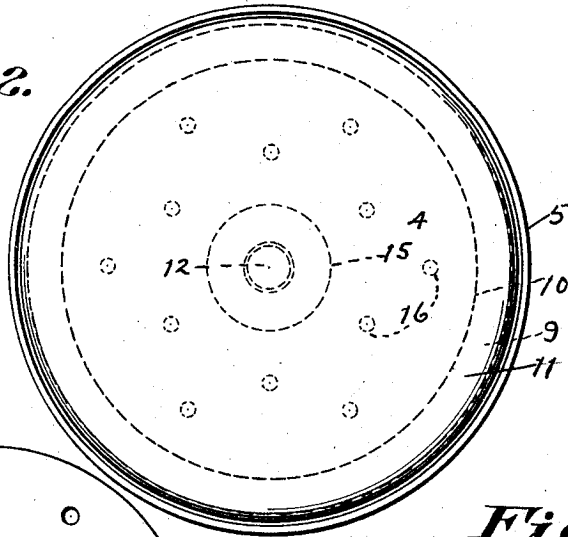


Fig. 4.

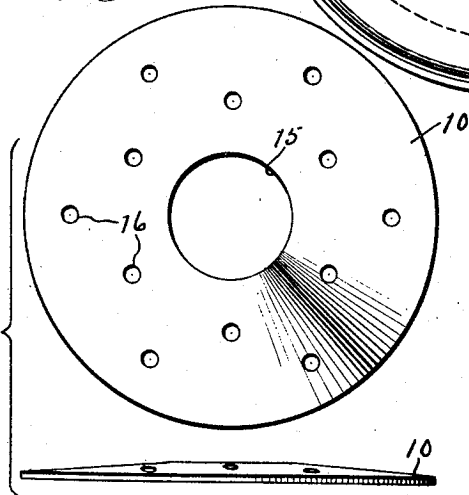
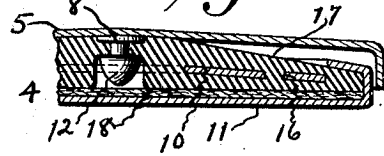


Fig. 3.



Inventor

Edward J. Gulick
By Louis C. Vanderlip.

Attorney