

June 9, 1964

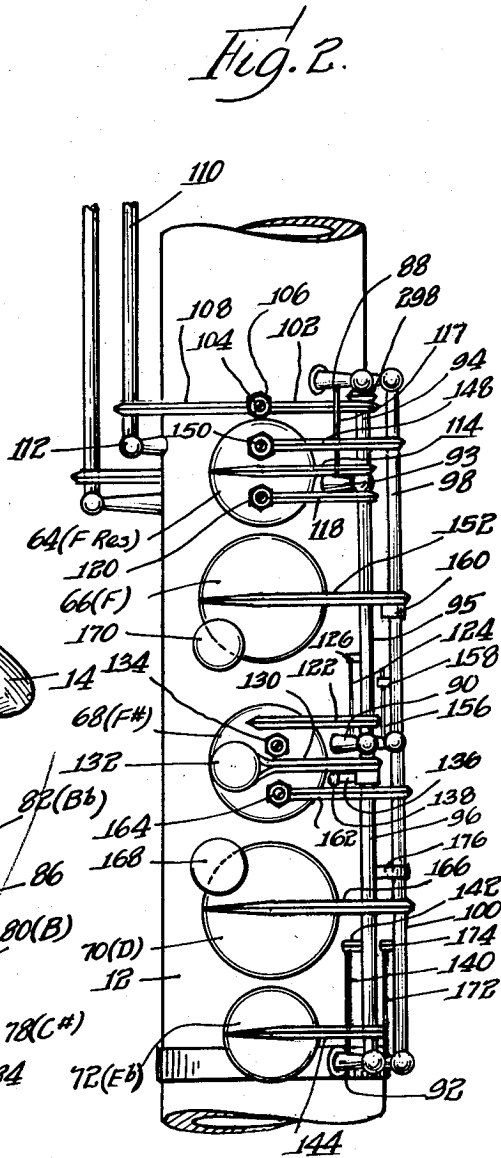
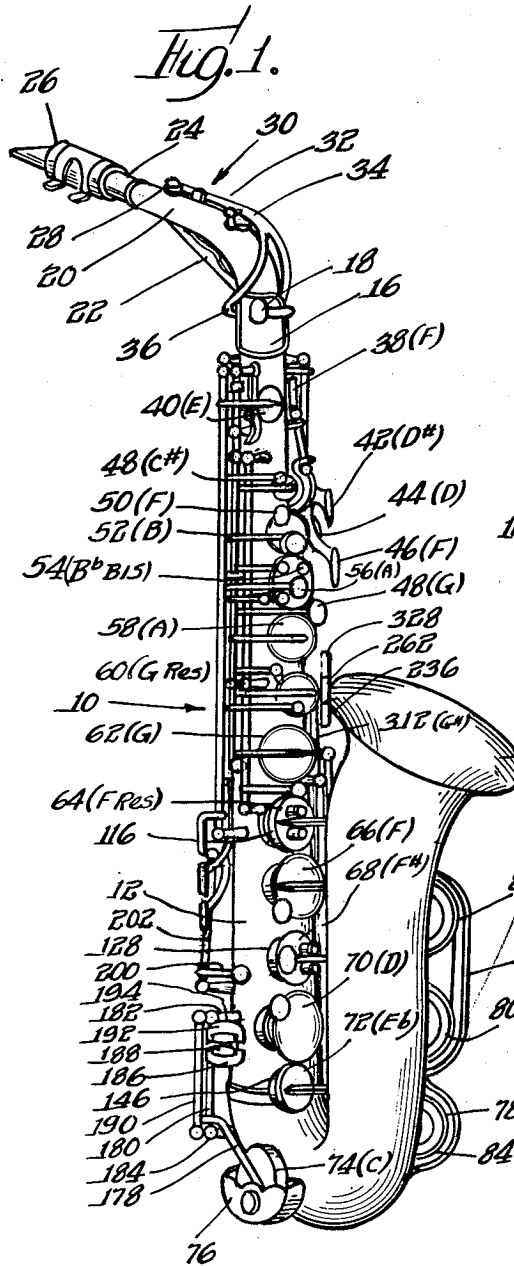
L. LEBLANC

3,136,200

SAXOPHONE

Filed June 14, 1961

3 Sheets-Sheet 1



INVENTOR.

Leon Leblanc

BY

Olson, Treppel, Wolters & Bushnell
Attys.