

Feb. 23, 1932.

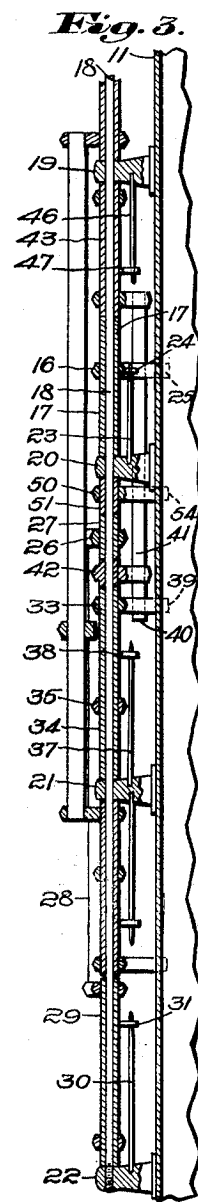
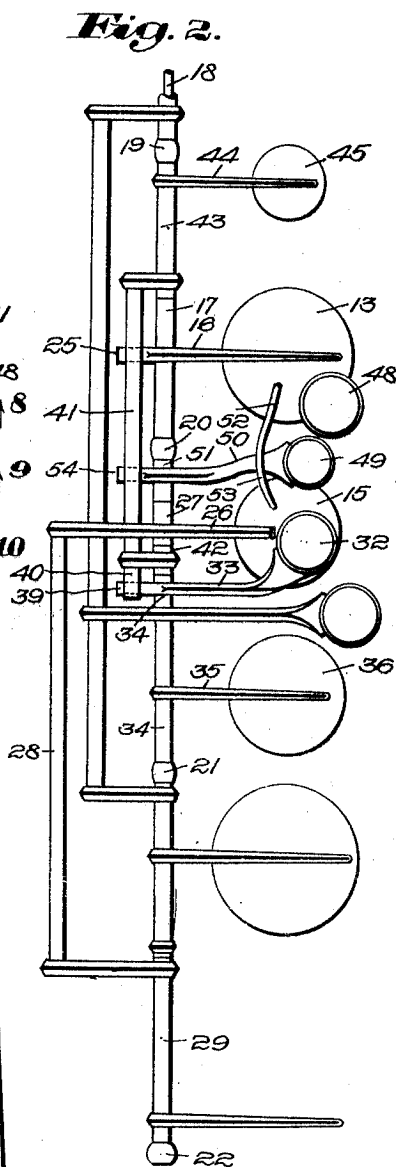
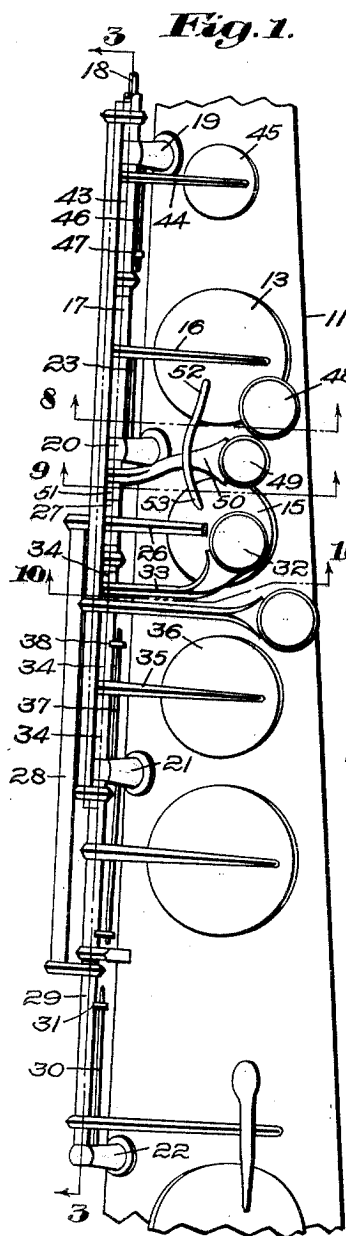
E. V. POWELL

1,846,454

SAXOPHONE

Filed Aug. 21, 1929

2 Sheets—Sheet 1



Inventor:
Edward V. Powell,
by Emory, Smith, Torrey & Torrey
Attys