

March 13, 1928.

1,662,195

A. LOOMIS

WOOD WIND INSTRUMENT

Filed Nov. 2, 1925

5 Sheets-Sheet 3

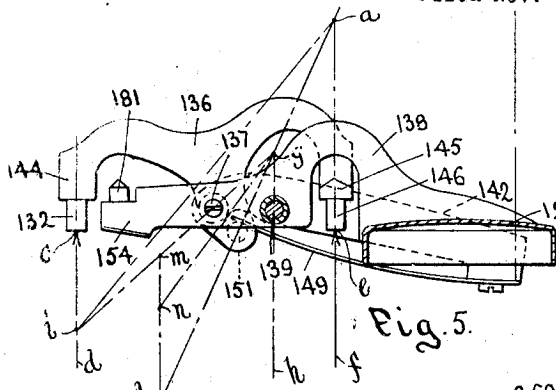


Fig. 5.

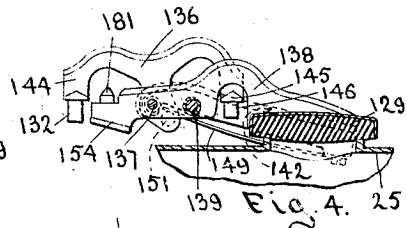


Fig. 4.

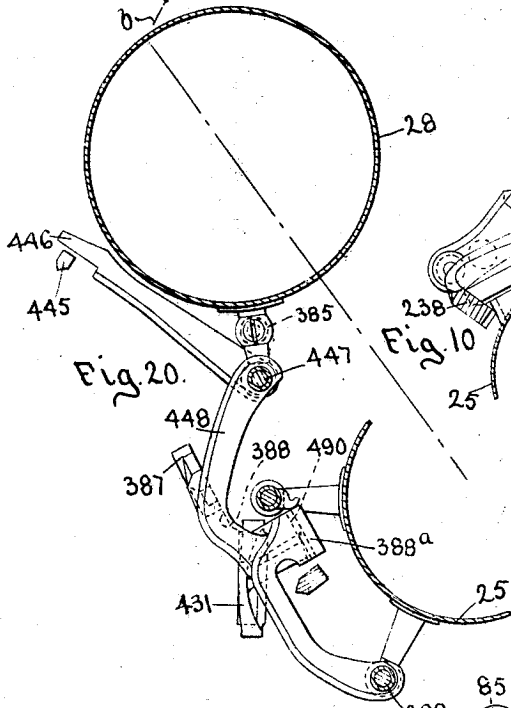


Fig. 20.

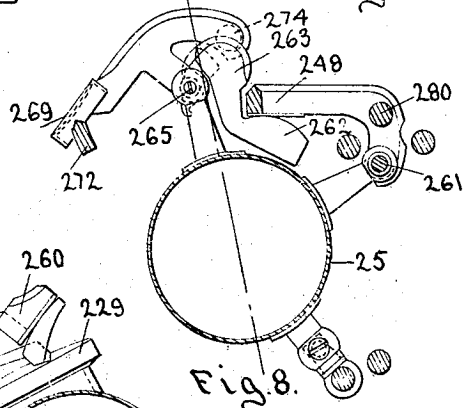


Fig. 8.

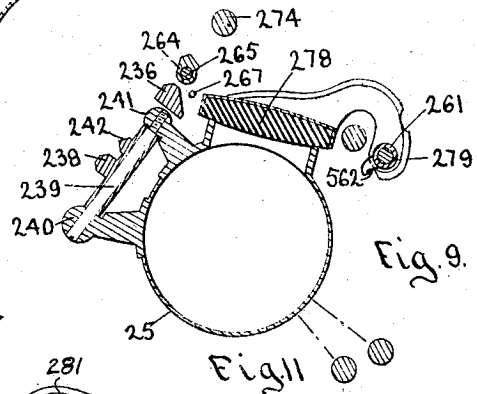


Fig. 9.

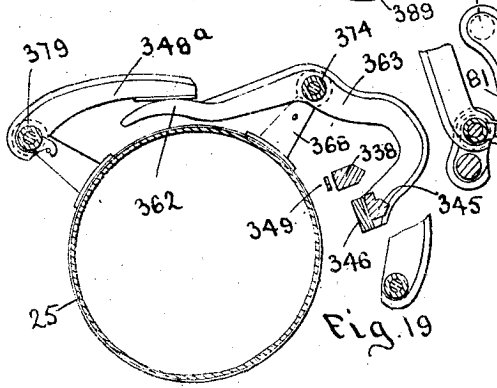


Fig. 19.

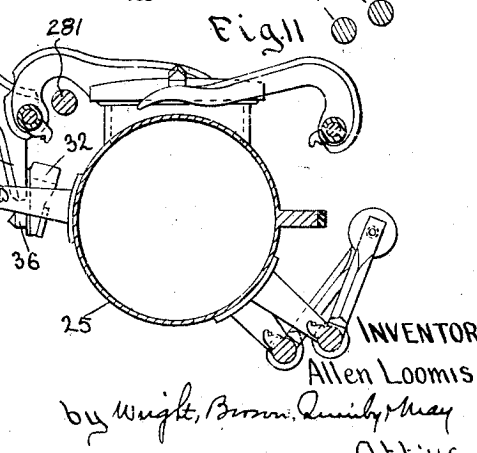


Fig. 11.

INVENTOR  
Allen Loomis  
by Wright, Brown, Quincy & May  
Att'ys