

May 18, 1926.

1,585,295

A. LOOMIS

OCTAVE KEY

Original Filed Feb. 9, 1923 2 Sheets-Sheet 1

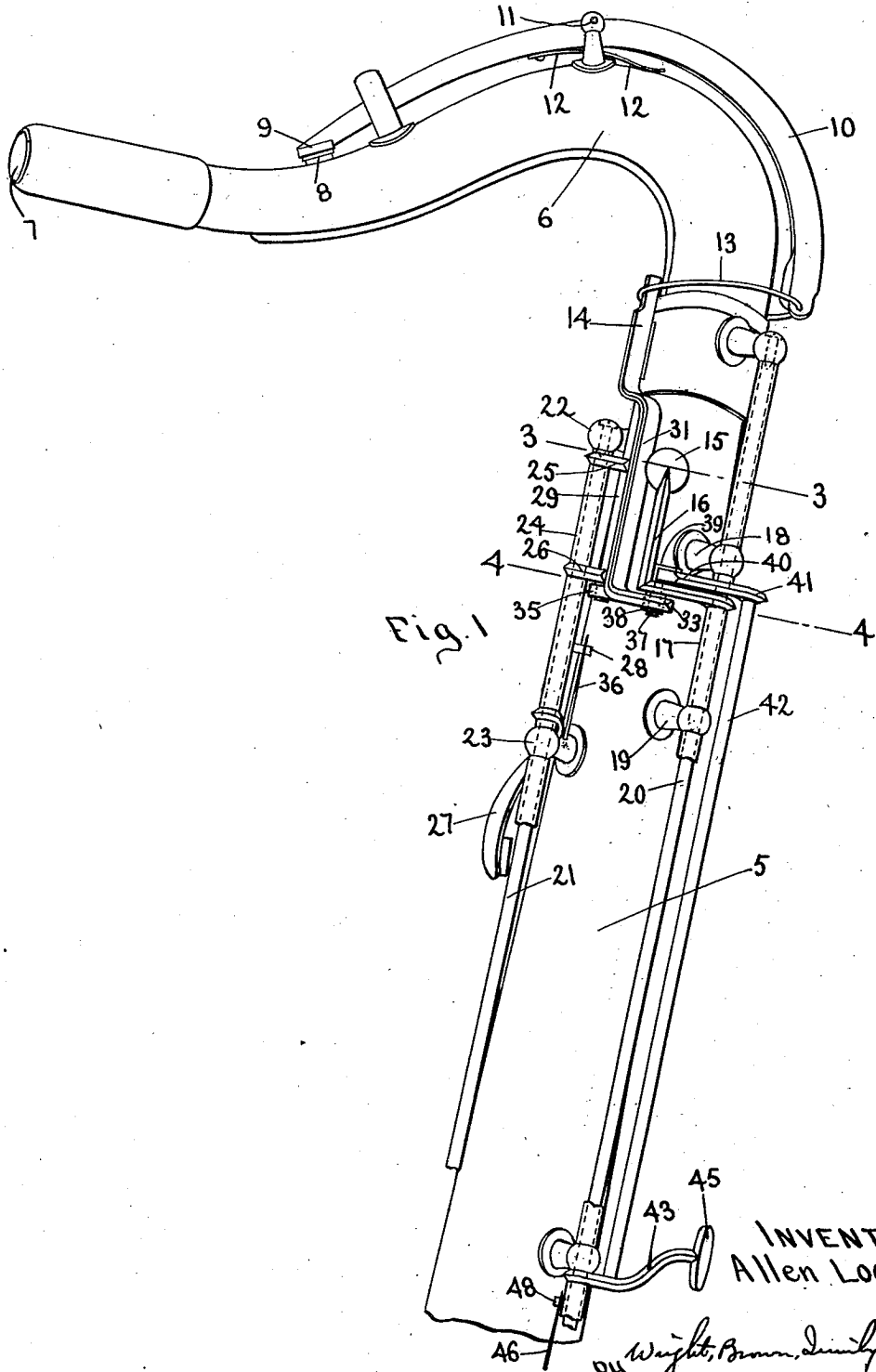


Fig. 1

INVENTOR
Allen Loomis

by *Wright, Brown, Smith & Key*
Att'ys