

Feb. 8, 1927.

1,616,662

A. LOOMIS.

OCTAVE KEY MECHANISM

Filed Oct. 29, 1925

2 Sheets-Sheet 2

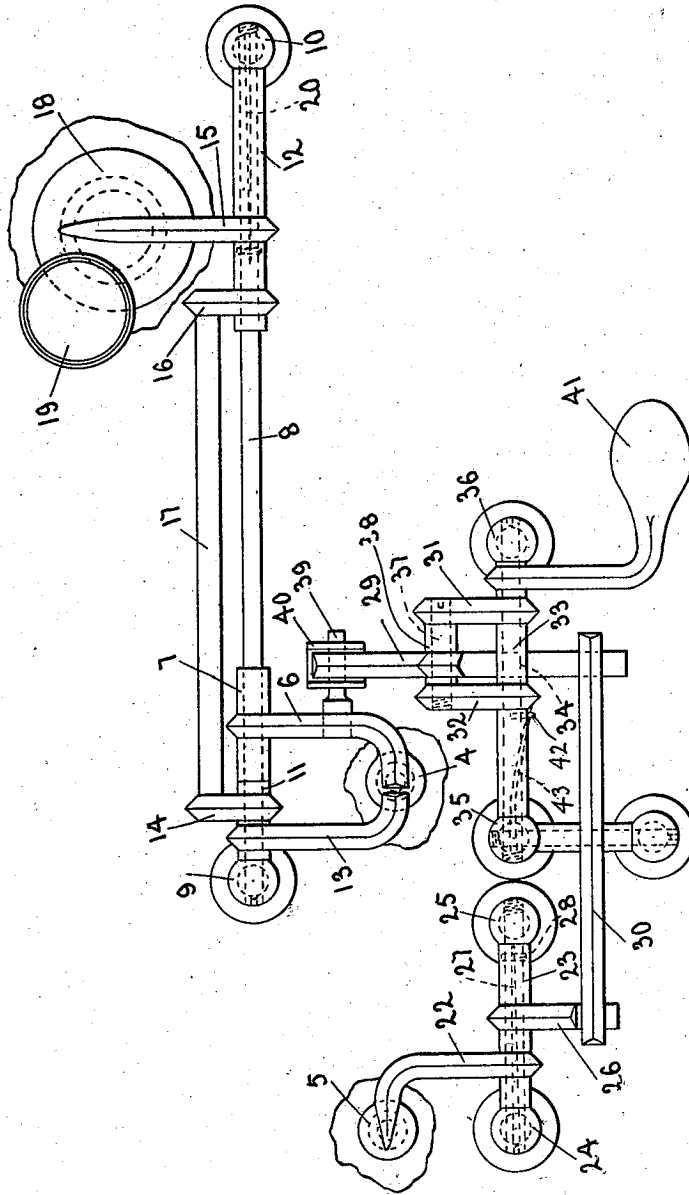


Fig. 2

INVENTOR.
Allen Loomis

by *Wright, Brown, Denny & May*
Attys