

May 22, 1928.

1,670,775

A. LOOMIS

COMPOUND KEY MECHANISM FOR WOOD WIND INSTRUMENTS

Filed Nov. 2, 1925

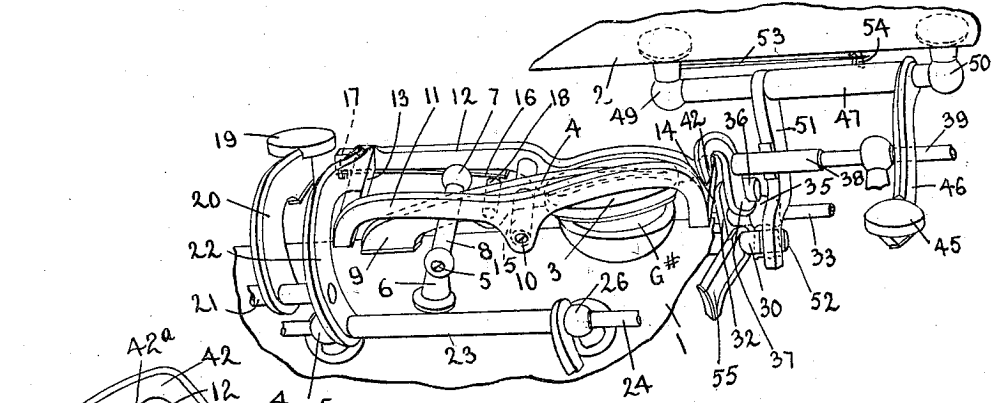


Fig. 1

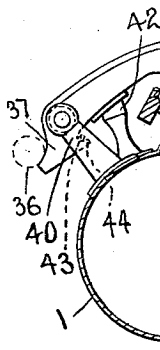


Fig. 4

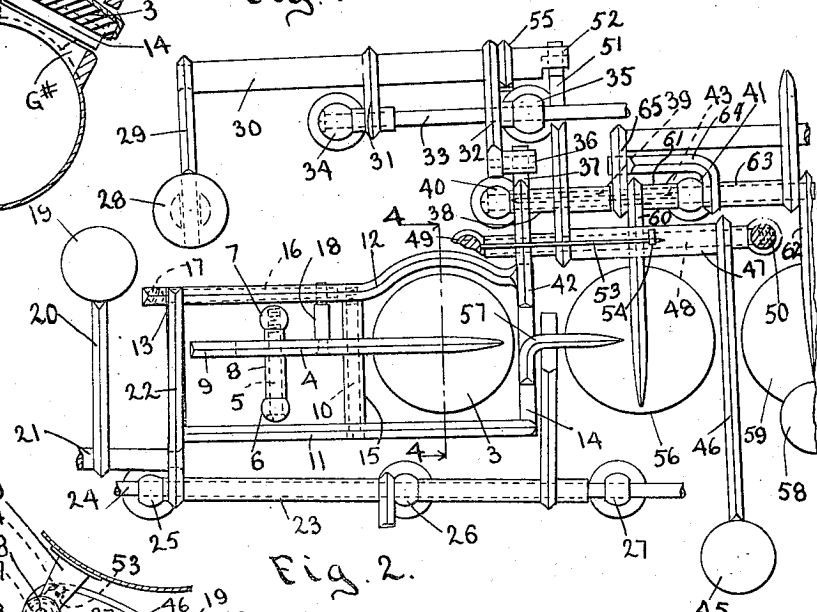


Fig. 2

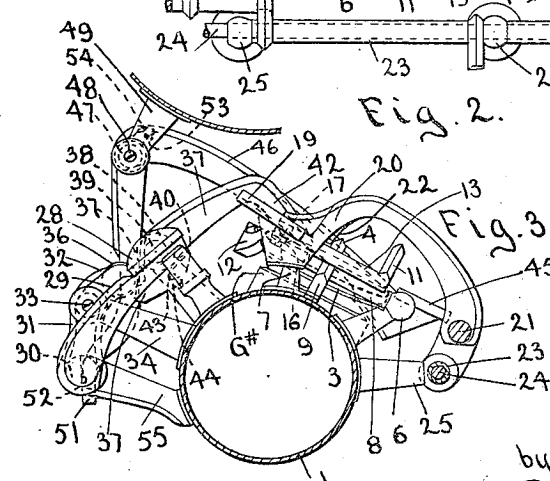


Fig. 3

INVENTOR
Allen Loomis

by Wright, Brown, Smith & May
Att'ys.