

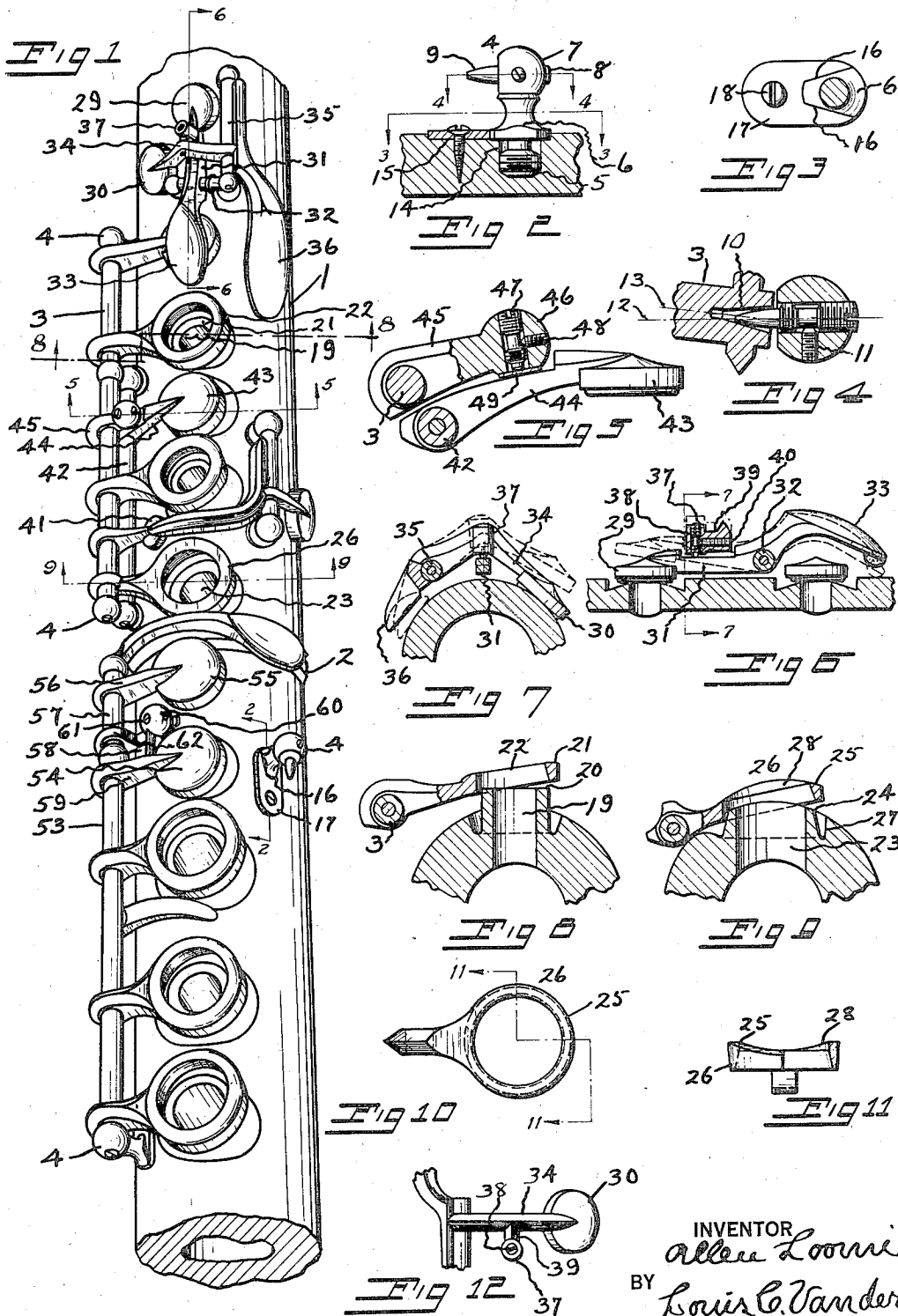
March 10, 1936.

A. LOOMIS

2,033,772

CLARINET

Original Filed March 20, 1933



INVENTOR
Allen Loomis
BY
Louis C. Vanderlip
ATTORNEY