

May 18, 1926.

1,585,295

A. LOOMIS

OCTAVE KEY

Original Filed Feb. 9, 1923 2 Sheets-Sheet 2

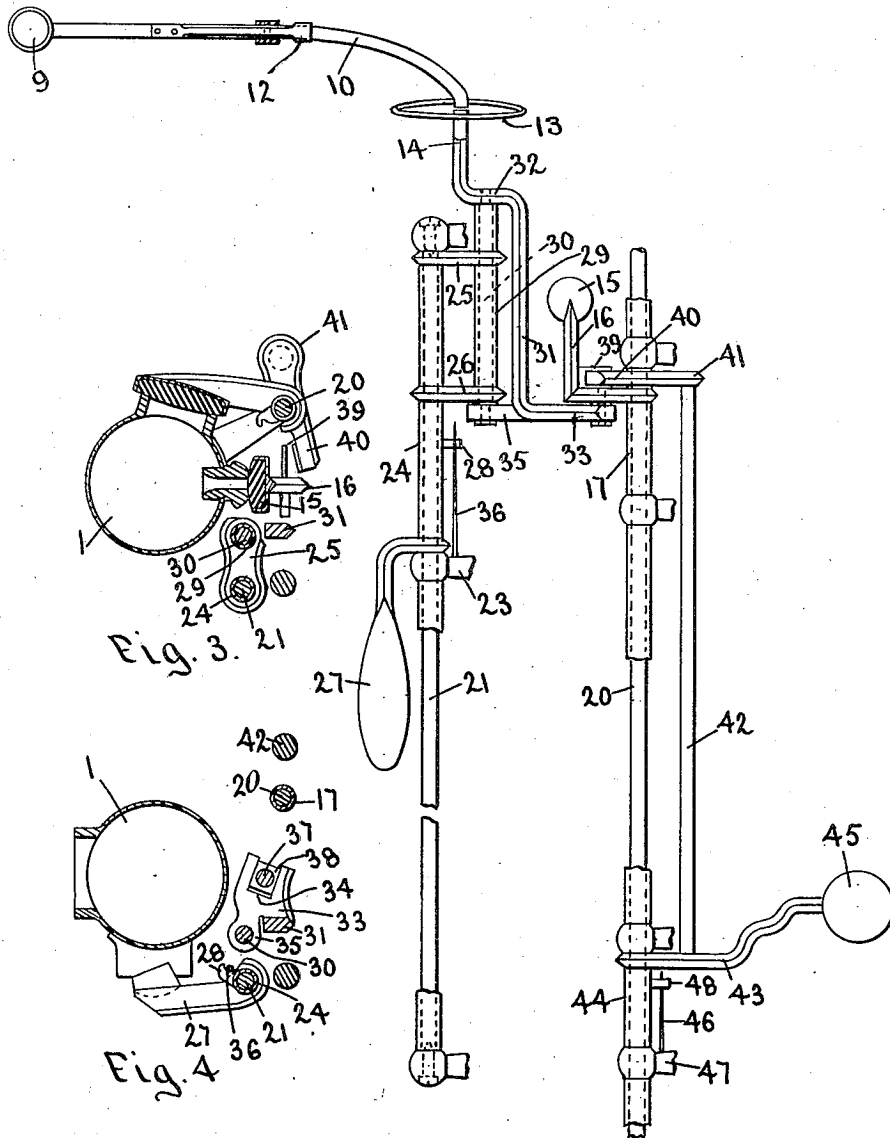


Fig. 2

INVENTOR  
Allen Loomis

by *Wight, Brown, Smith & Hay*  
Att'y