

March 13, 1928.

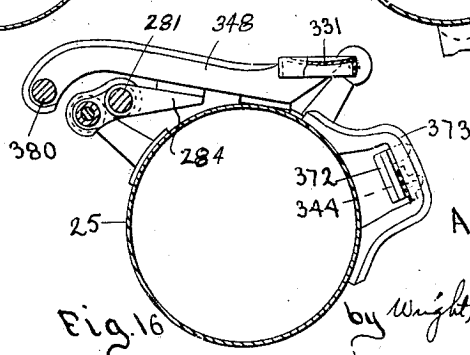
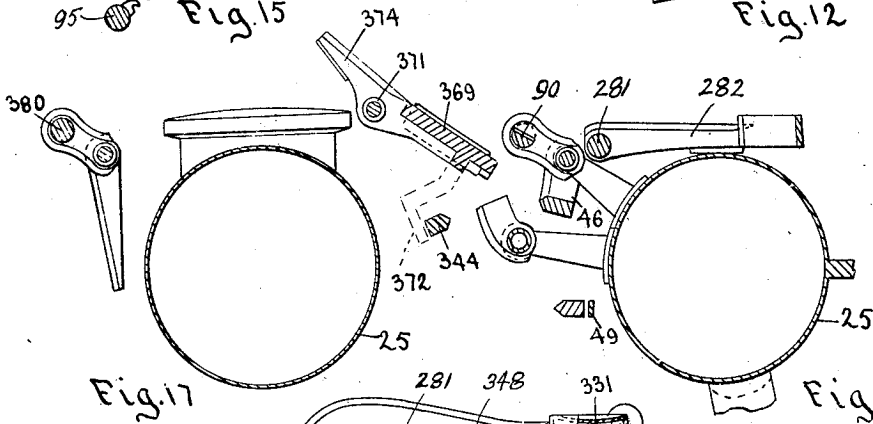
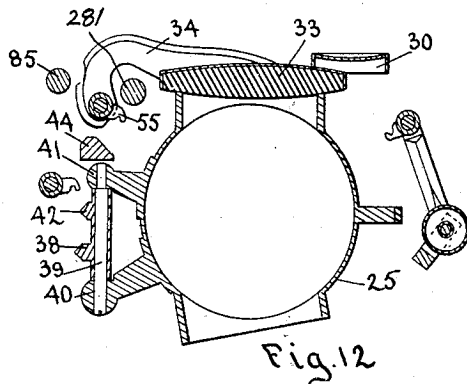
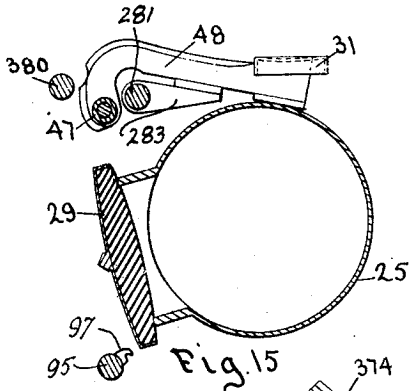
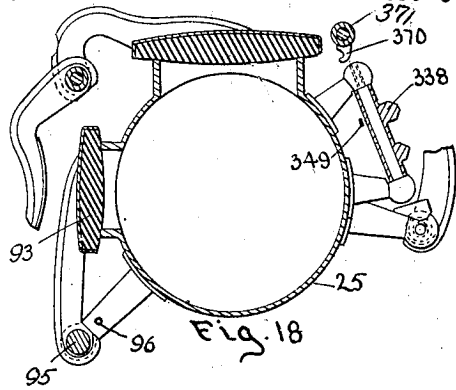
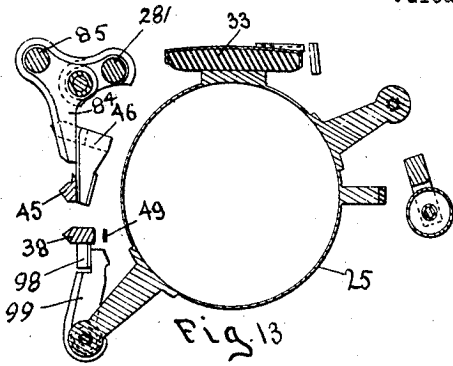
1,662,195

A. LOOMIS

WOOD WIND INSTRUMENT

Filed Nov. 2, 1925

5 Sheets-Sheet 5



INVENTOR
Allen Loomis

by *Wright, Brown, Lundy & May*
Attys