

May 22, 1928.

1,670,774

A. LOOMIS

TRIPLE AUTOMATIC OCTAVE MECHANISM FOR WOOD WIND INSTRUMENTS

Filed Oct. 28, 1925

2 Sheets-Sheet 2

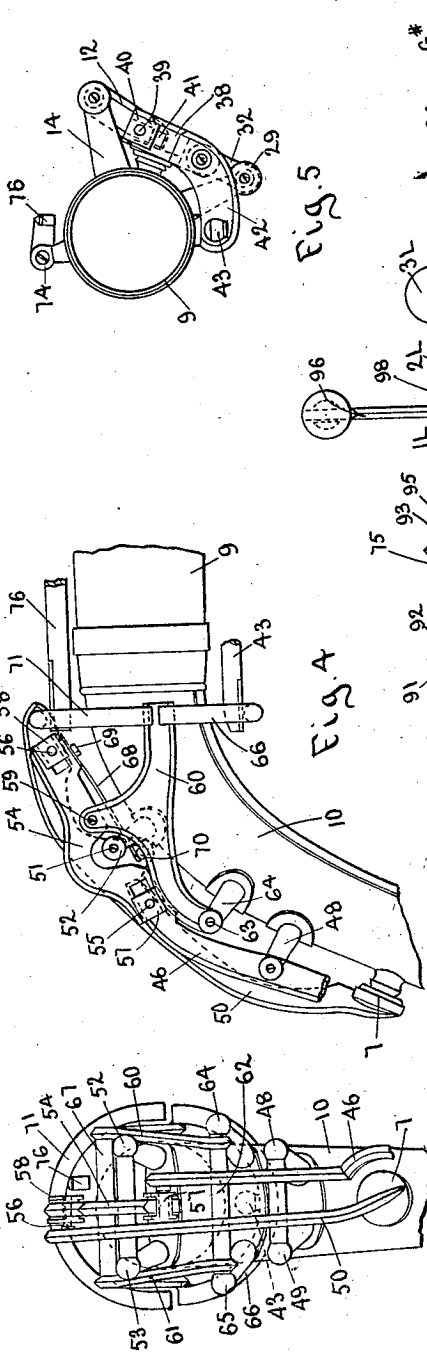


Fig. 5

Fig. 4

Fig. 3

Fig. 2

INVENTOR
Allen Loomis

by *Night, Brown, Dunlop & May*

Attys