

Sept. 22, 1936.

A. LOOMIS

2,055,382

SAXOPHONE

Original Filed March 23, 1933

2 Sheets-Sheet 1

Fig. 1

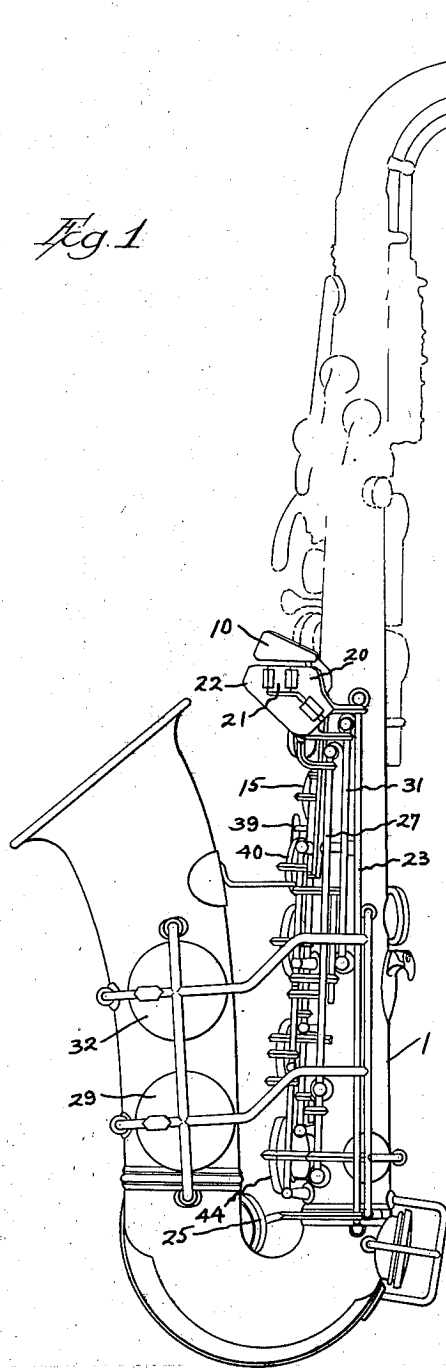
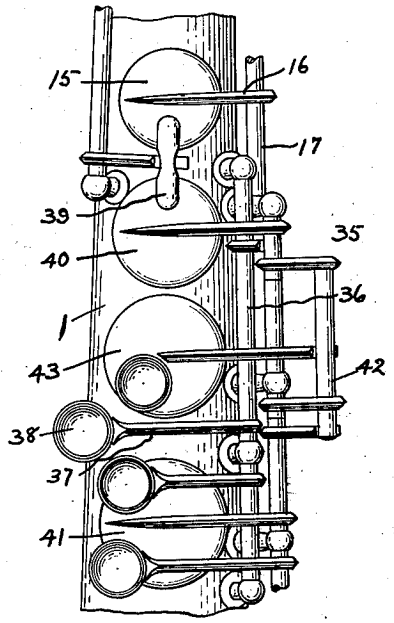


Fig. 9.



Inventor:
Allen Loomis
By Louis C. Vanderlip.
Atty.: