

Aug. 3, 1954

F. N. MEYERS
SAXOPHONE

2,685,220

Filed Nov. 24, 1950

3 Sheets-Sheet 2

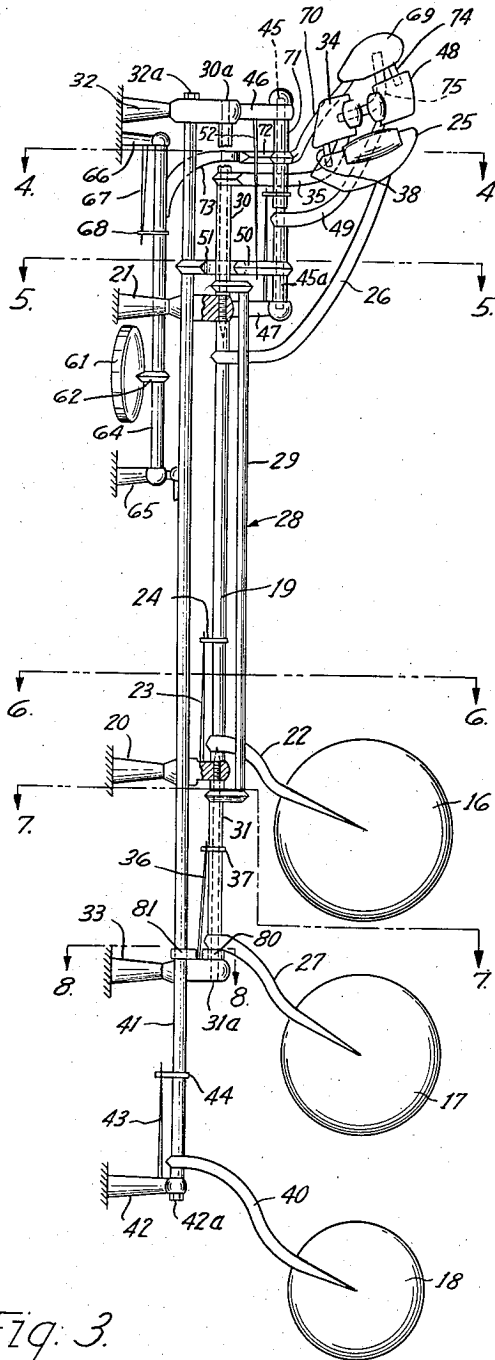


Fig. 3.

INVENTOR.
FRED N. MEYERS
BY
Fred N. Meyers
ATTORNEY.