

June 9, 1964

L. LEBLANC

3,136,200

SAXOPHONE

Filed June 14, 1961

3 Sheets-Sheet 3

Fig. 6.

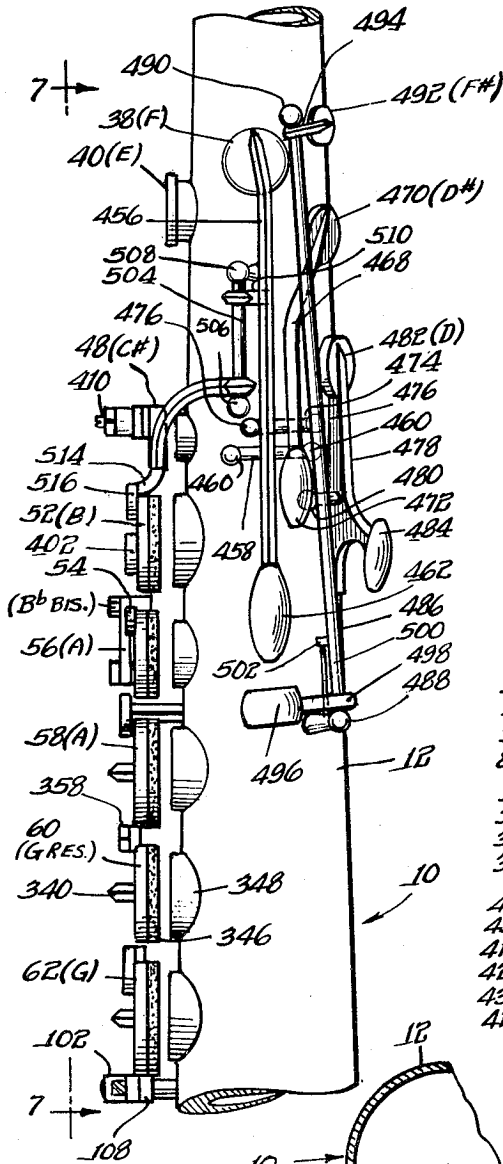


Fig. 7.

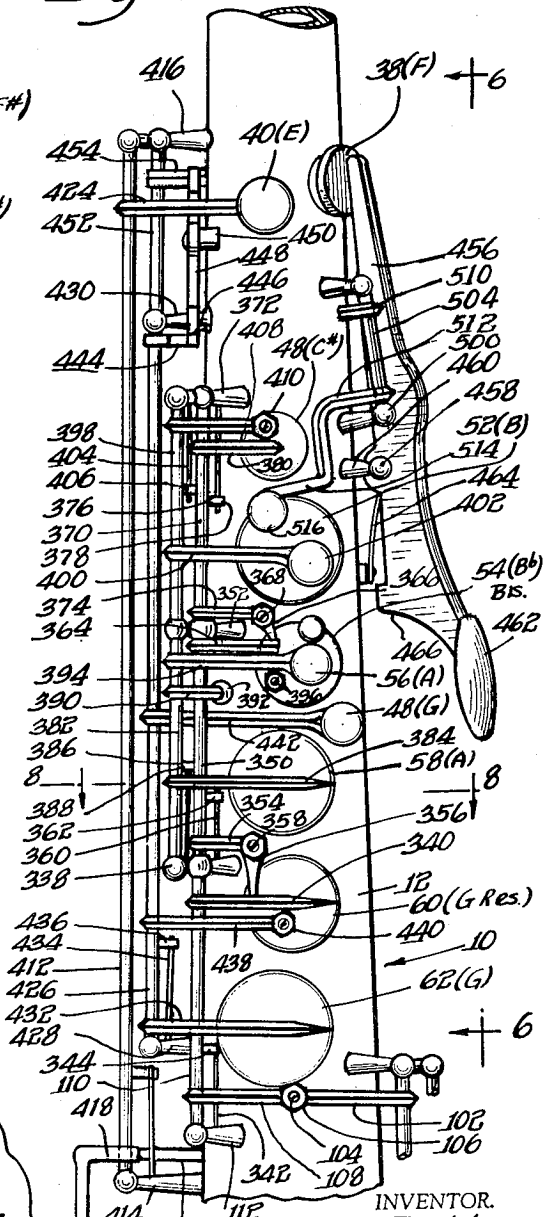
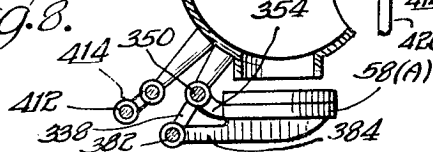


Fig. 8.



INVENTOR.
Leon Leblanc
 BY: *Olson, Treiber
 Wollin & Bushnell
 atts.*