

Feb. 23, 1932.

E. V. POWELL

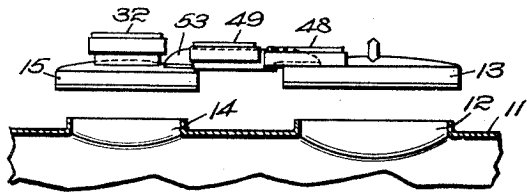
1,846,454

SAXOPHONE

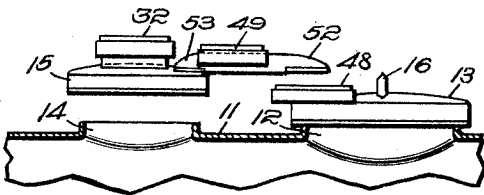
Filed Aug. 21, 1929

2 Sheets-Sheet 2

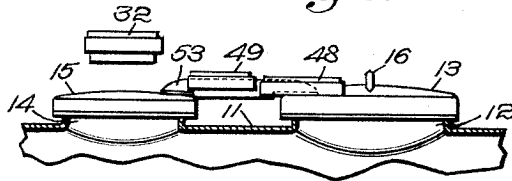
**Fig. 4.**



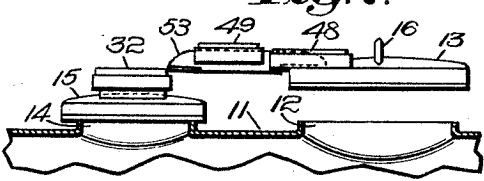
**Fig. 5.**



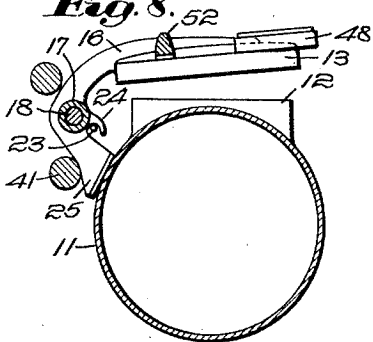
**Fig. 6.**



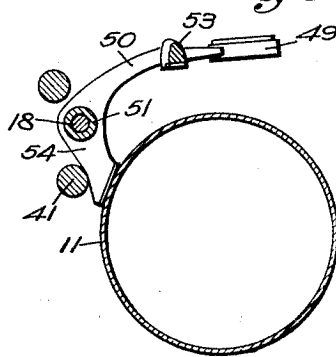
**Fig. 7.**



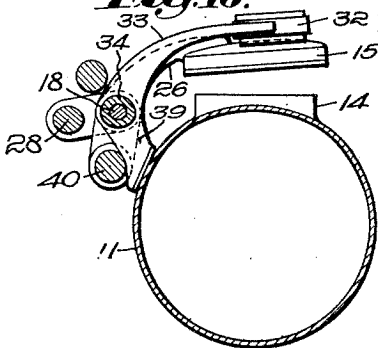
**Fig. 8.**



**Fig. 9.**



**Fig. 10.**



**Inventor:**  
**Edward V. Powell,**  
by **Emory, Booth, Varney & Townsend**  
**Attys**