

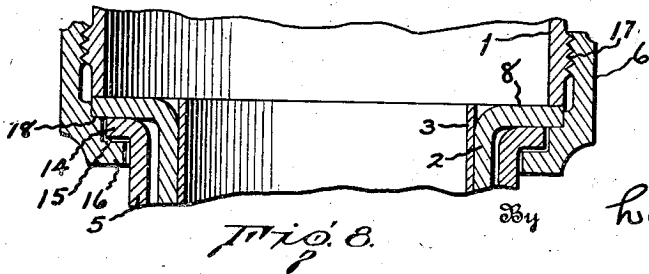
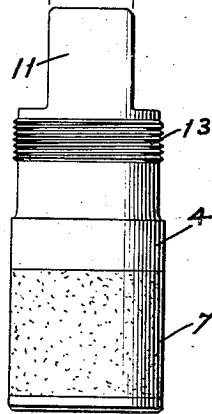
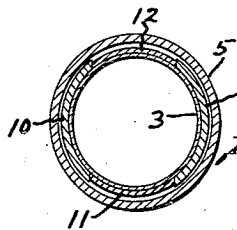
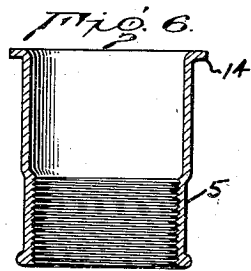
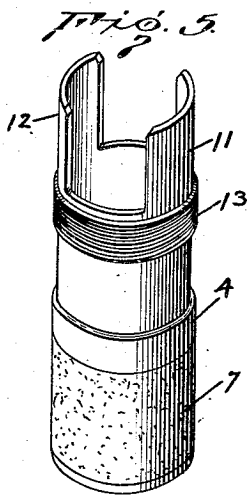
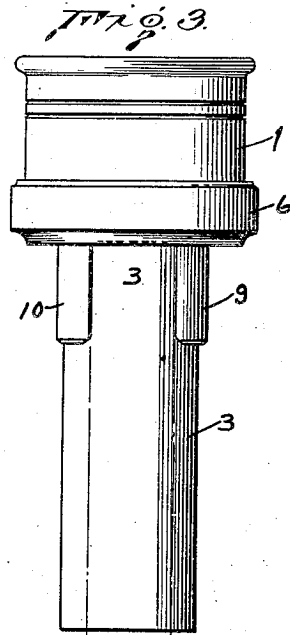
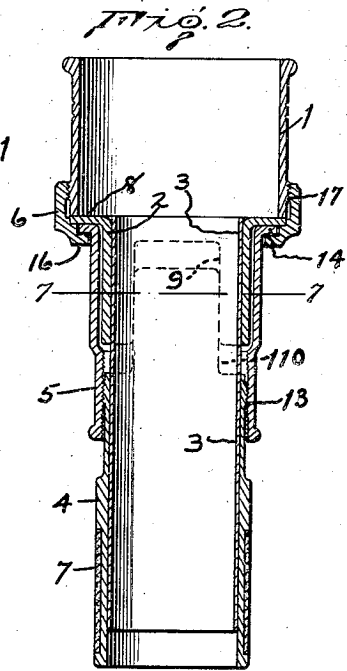
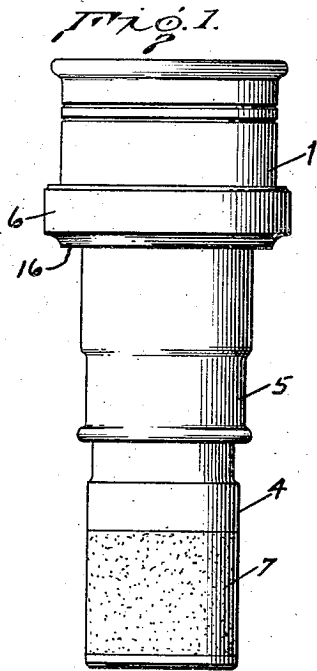
Sept. 1, 1931.

A. LOOMIS

1,821,655

TUNING DEVICE FOR WIND MUSICAL INSTRUMENTS

Filed May 17, 1930



Inventor
Allen Loomis
Louis C. Vanderlip,
Attorney