

Dec. 12, 1950

F. N. MEYERS

2,533,389

VALVE ACTION MECHANISM FOR WIND INSTRUMENTS

Filed Aug. 27, 1948

2 Sheets-Sheet 1

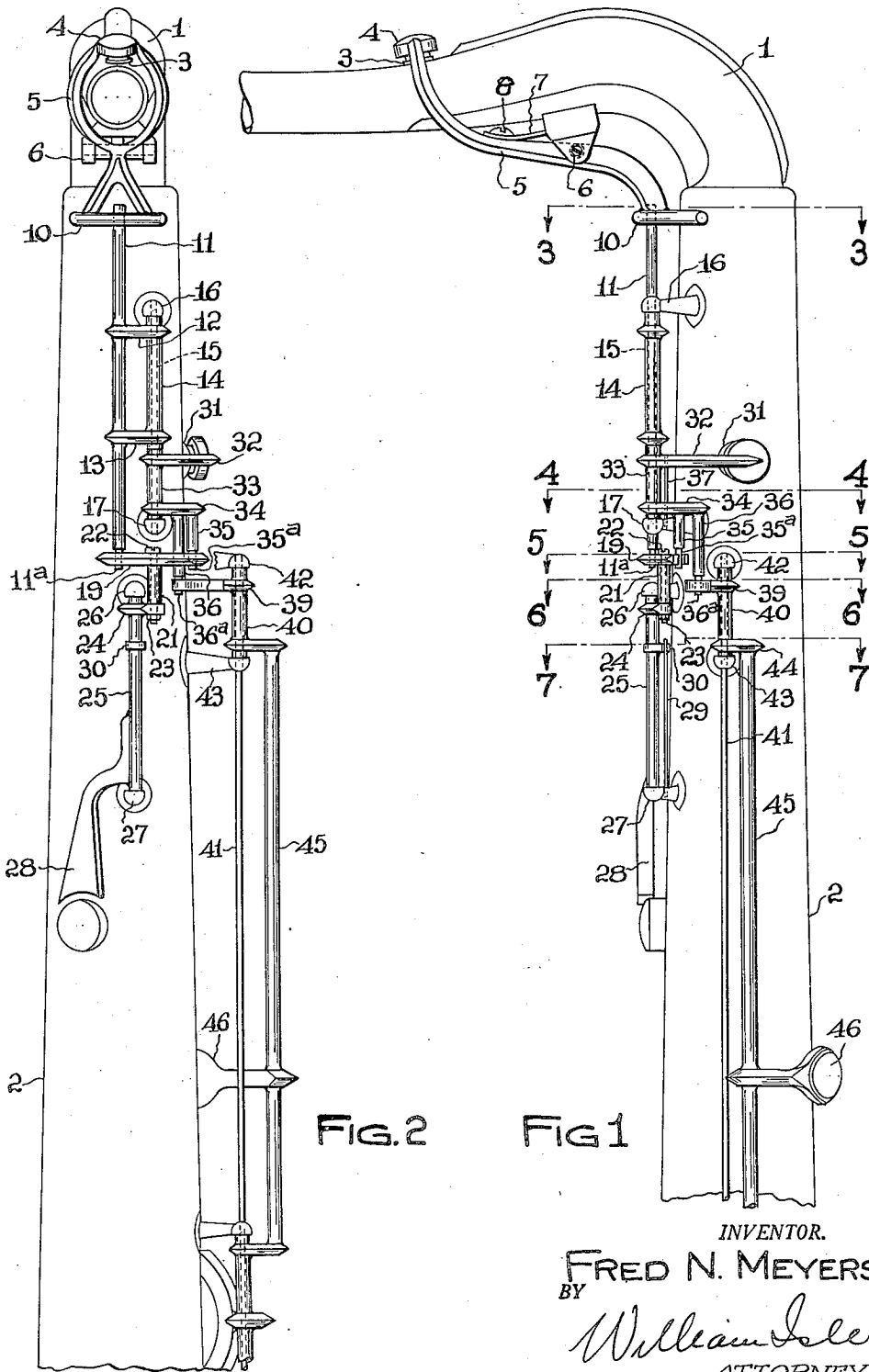


FIG. 2

FIG. 1

INVENTOR.
FRED N. MEYERS
BY
William J. Siler
ATTORNEY.