

Dec. 12, 1950

F. N. MEYERS

2,533,389

VALVE ACTION MECHANISM FOR WIND INSTRUMENTS

Filed Aug. 27, 1948

2 Sheets-Sheet 2

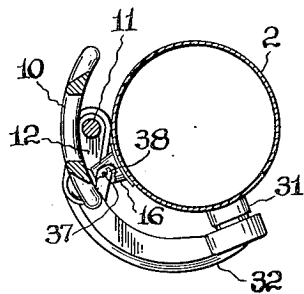


FIG. 3

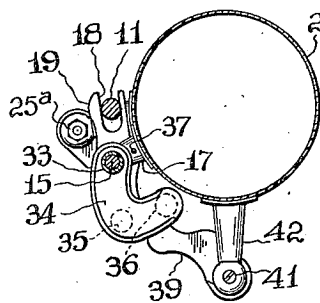


FIG. 4

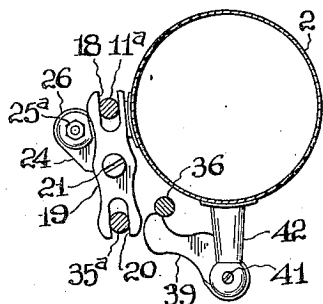


FIG. 5

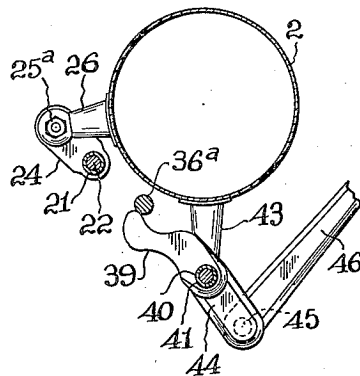


FIG. 6

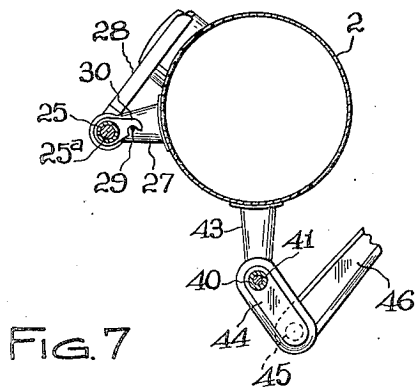


FIG. 7

INVENTOR.
FRED N. MEYERS
BY
William J. Iler
ATTORNEY.