

Aug. 3, 1954

F. N. MEYERS

2,685,220

SAXOPHONE

Filed Nov. 24, 1950

3 Sheets-Sheet 3

Fig. 4.

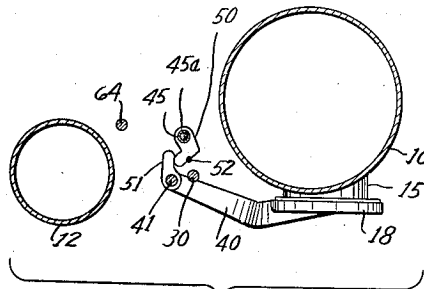
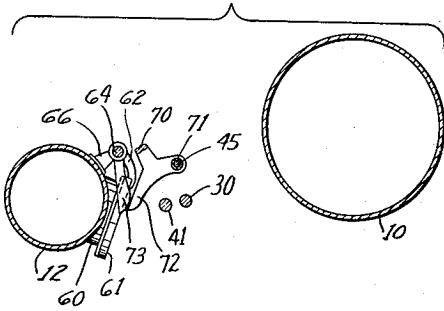


Fig. 5.

Fig. 6.

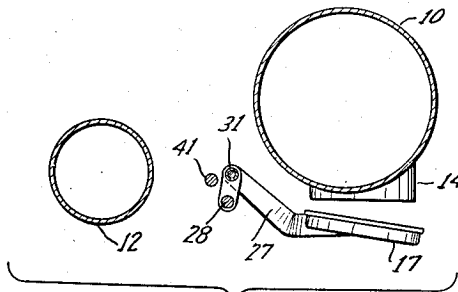
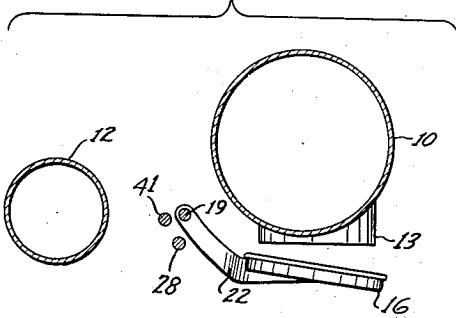


Fig. 7.

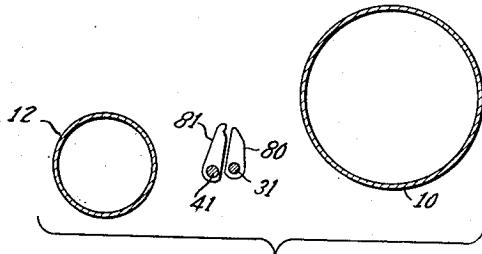


Fig. 8.

INVENTOR.
FRED N. MEYERS
BY
Harold Medent
ATTORNEY.