

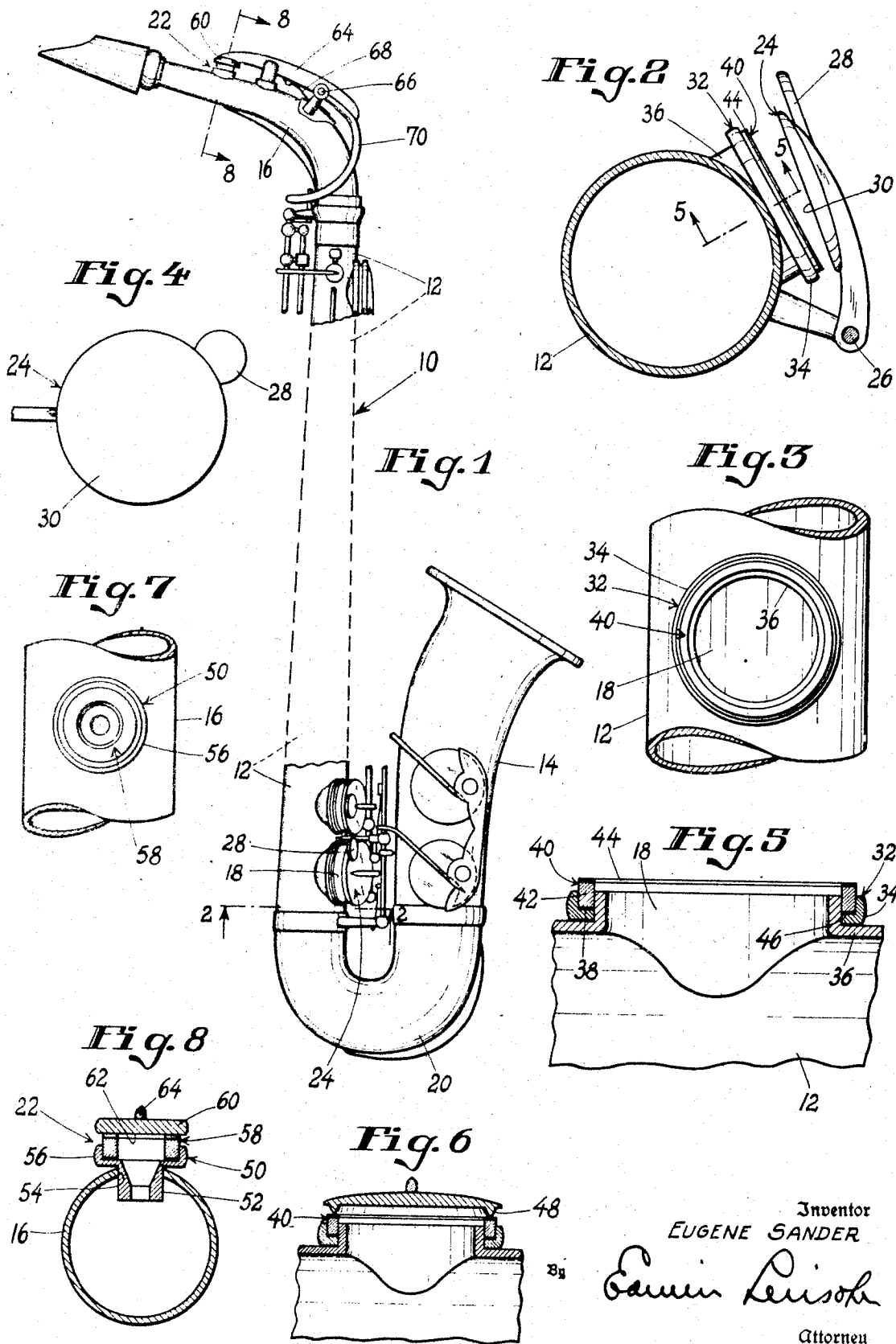
Dec. 31, 1940.

E. SANDER

2,227,230

MUSICAL INSTRUMENT

Filed Sept. 7, 1939



Inventor
EUGENE SANDER

Eugene Sander

Attorney